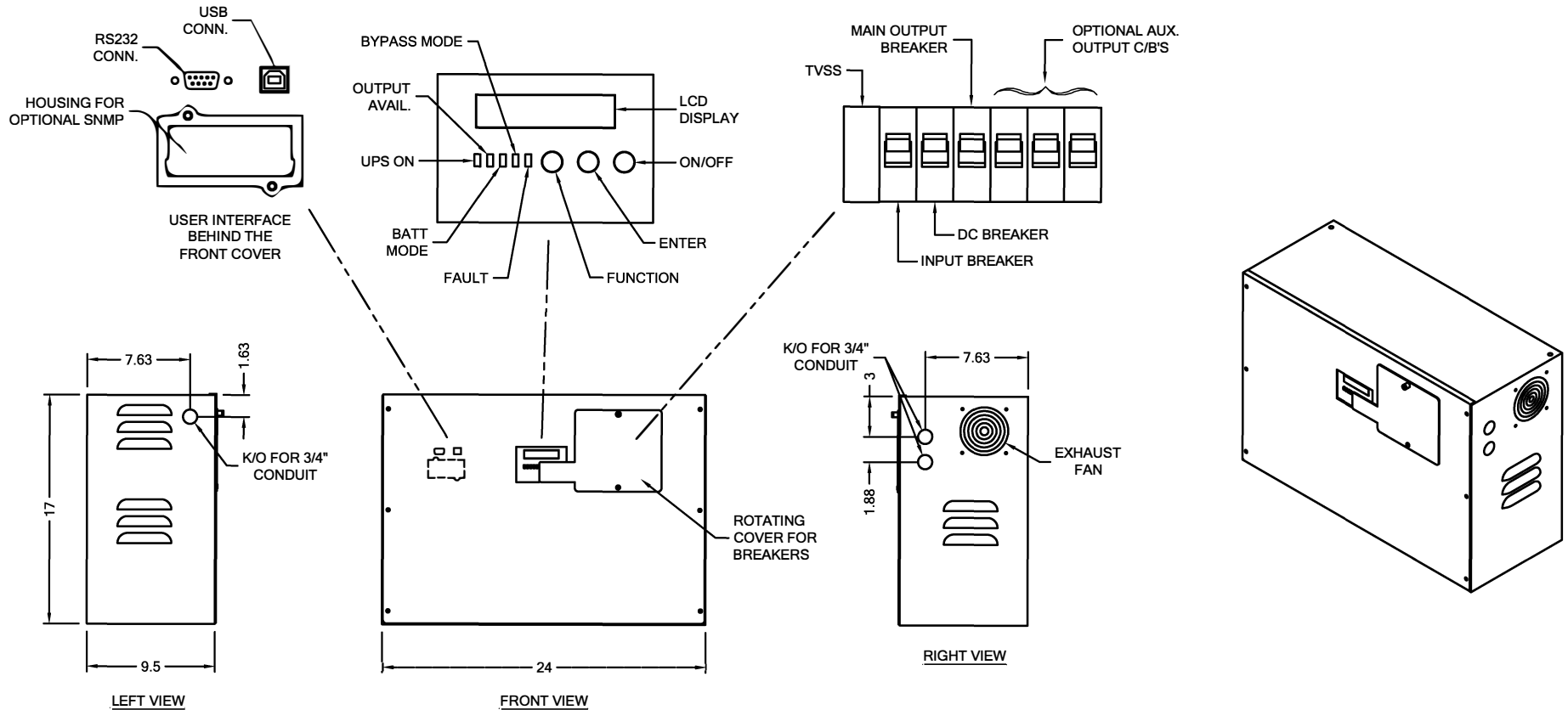


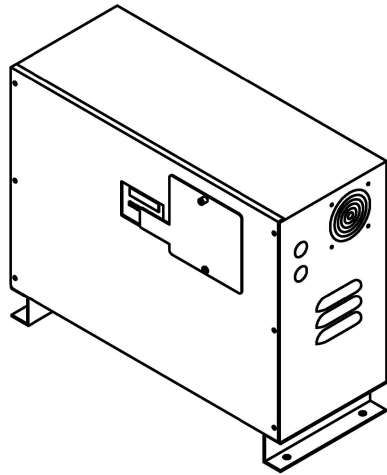
REVISION				
REV	ECO	DESCRIPTION	DATE	APPROVED
X5		"STANDARD MOUNTING" WAS "OPTIONAL WALL MOUNT"	2/7/12	H. BAIK



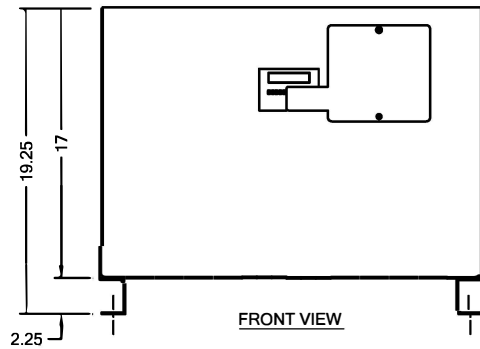
NOTES: (UNLESS OTHERWISE SPECIFIED)

- 1) ALL DIMENSIONS SHOWN ARE APPROXIMATE.
- 2) ENCLOSURE: INDOOR NEMA TYPE 1, COLOR WHITE.
- 3) RATING: FROM 100 W. TO 490 W.
- 4) WEIGHT: FROM 120 LBS UP TO 240 LBS (WITH BATTERIES).
- 5) MOUNTING DIMENSIONS ARE SHOWN ON PAGE 2.

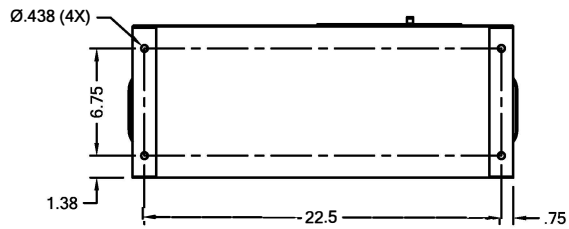
<input type="checkbox"/> APPROVED <input type="checkbox"/> DISAPPROVED DATE: _____ <input type="checkbox"/> APPROVED WITH COMMENTS		UNLESS OTHERWISE SPECIFIED, DIMENSIONS ARE IN INCHES. TOLERANCES ARE: DECIMALS FRACTIONS ANGLES .XX ± .03 ± 1/64 ± 1/2° .XXX ± .010	LV Energy Systems	
COMMENTS: _____ _____ _____			TITLE: MICRO INVERTER	
NAME: _____ SIGNATURE: _____		DRWN: HAI NGUYEN 10/5/10 CHKD: HAI NGUYEN 10/5/10 APPVD: H. BAIK 10/5/10	SIZE: DWG B	EST. WT.: _____ SHT 1 OF 2
SPECIFICATIONS SUBJECT TO CHANGE WITHOUT NOTICE				



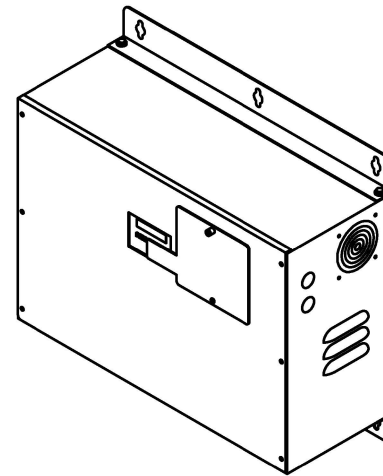
OPTIONAL FLOOR MOUNT



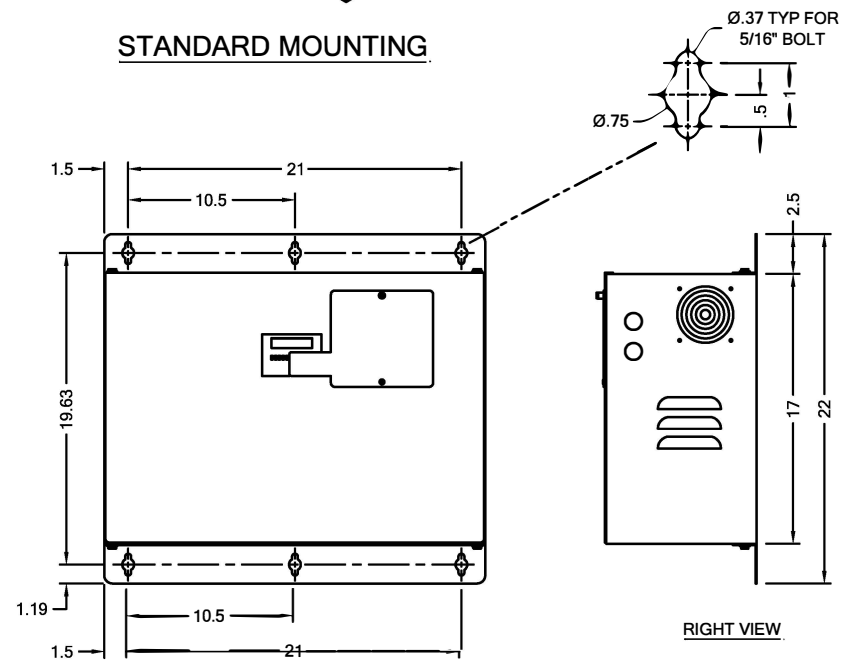
FRONT VIEW



BOTTOM VIEW
(MOUNTING PATTERN)



STANDARD MOUNTING



FRONT VIEW
(MOUNTING PATTERN)

RIGHT VIEW

SIZE	DWG	6001-159C	REV
B			X5
SCALE:	EST. WT:	SHT 2 OF 2	