



## 1. Installation

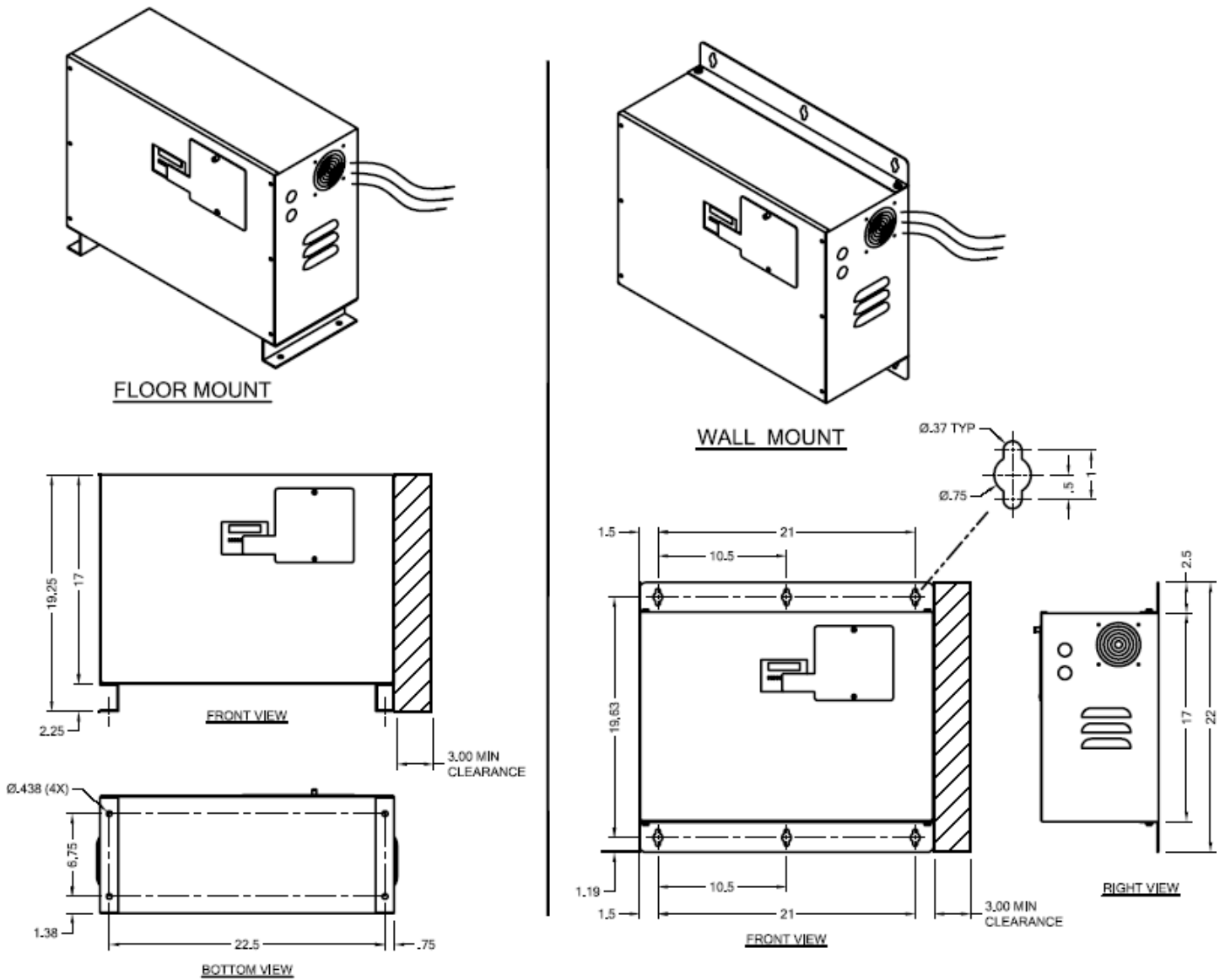
### 5.1 Environment

Ensure that all environmental concerns and requirements are met according to these technical specifications, otherwise the safety of installation personnel cannot be guaranteed and the unit may malfunction.

Ensure that you remember the following when locating the UPS system and battery options:

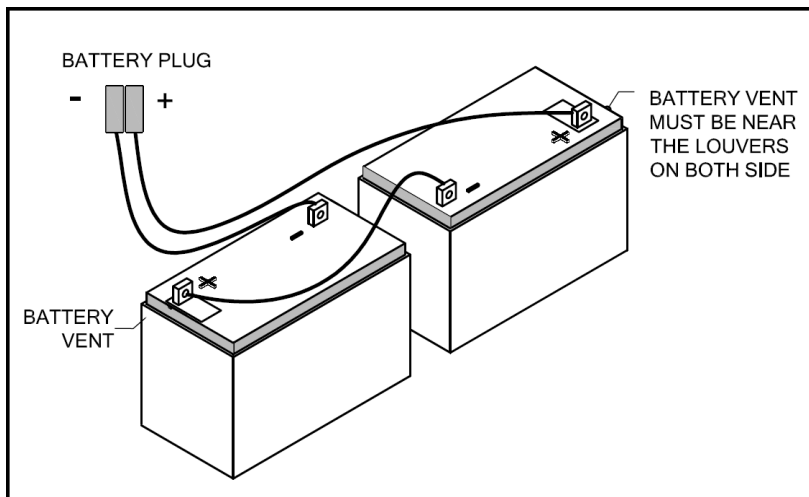
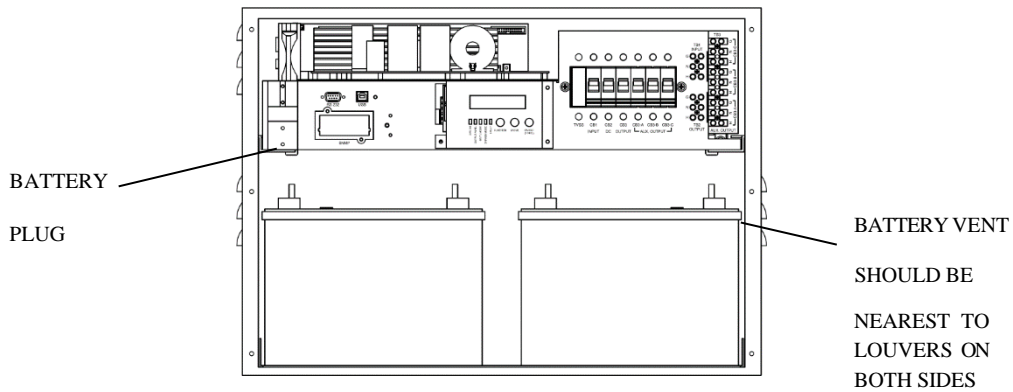
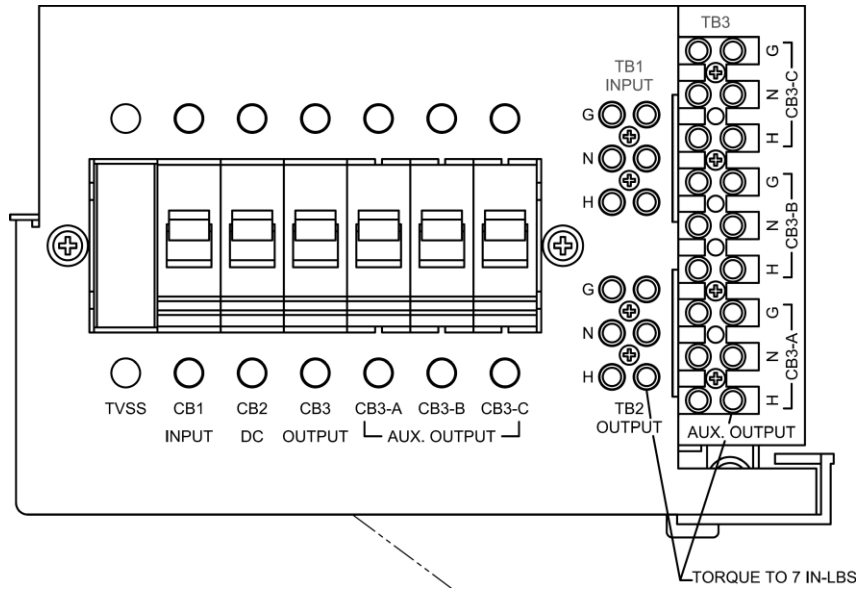
- Avoid extremes of temperature and humidity. Maximal battery life can be attained with a recommended temperature range of 15 °C to 25 °C.
- Provide protection for the equipment from moisture.
- Ensure that the front of the UPS remains clear for user operation.
- Space and ventilation requirements must be met (see below).

## 5.2 Installation Layout:

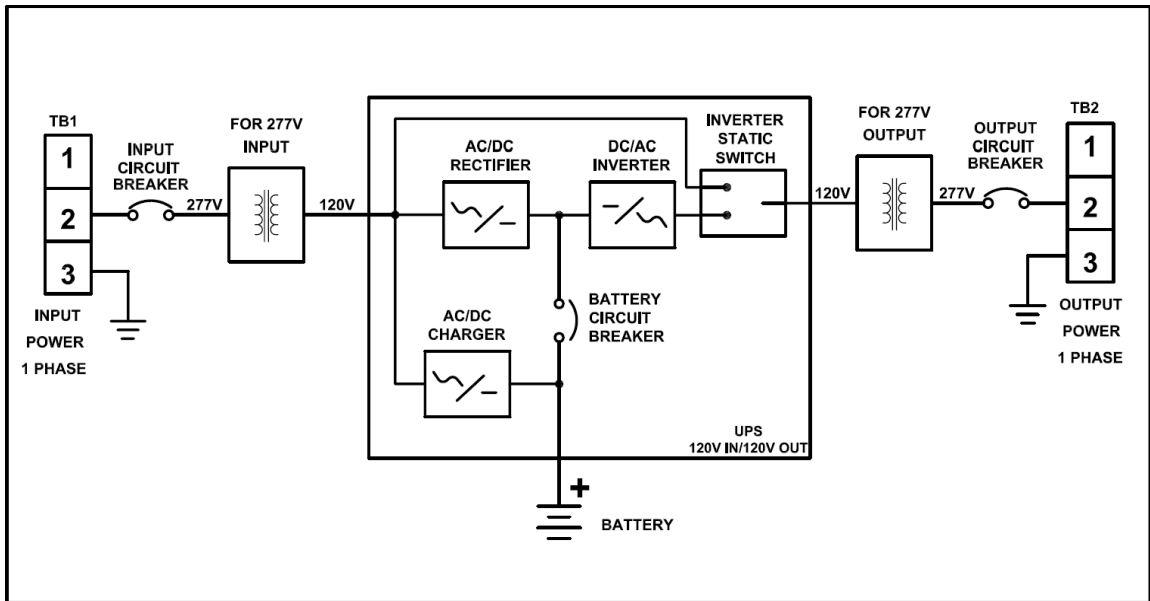


Customer to supply hardware and to ensure the wall structure and material is proper  
for the load handling of the unit

### 5.3 Connection to mains and loads



**Caution:**  
 Use of any non-Factory Tested/UL924 Certified batteries, including those with similar brand name and part number, will void the systems UL 924 Safety Certification Listing. Please call or e-mail Power Services for tested/certified replacement batteries.



Battery Connection

The installation is now complete