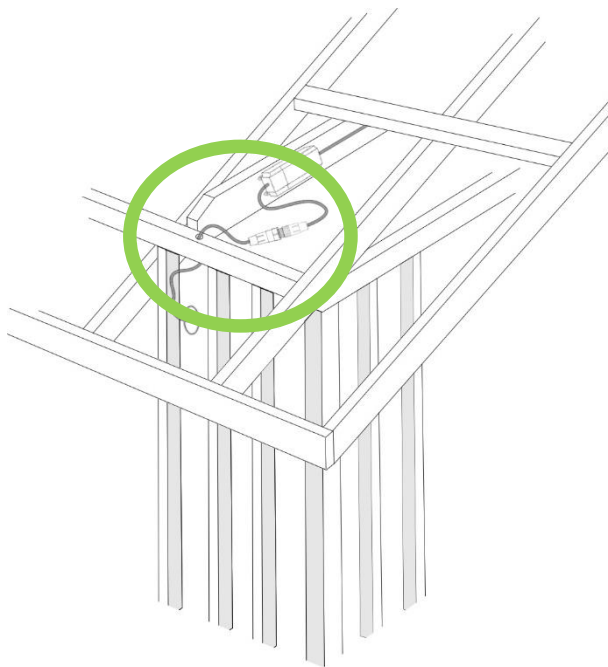


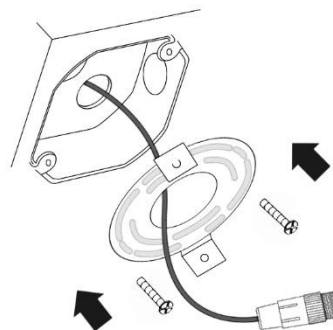


Step 1



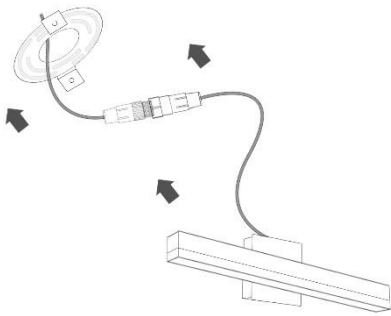
Run Cat6A plenum from the demarc to the fixture general location in the attic, plenum or crawl space. Attach the rj45 to the port on the driver and affix the driver to the joist using wood screws and the mounting tabs on the driver. Connect the whip extension provided (denoted by green circle) with the fixture and attach it to the appropriate end of the driver. Using the appropriate bit, drill a hole in the header and proceed to feed the whip extension through the hole into the wall cavity as denoted by the green circle in the illustration above.

Step 2



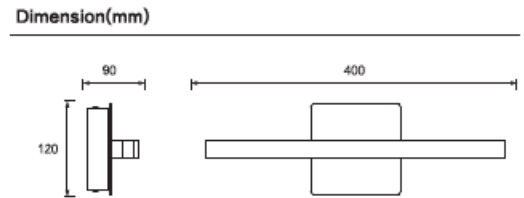
Feed the whip extension in the wall cavity through the electrical box and out into the bathroom. Next, feeding the whip extension through the center hole of the mounting plate attach the mounting plate to the electrical box using the provided screws.

Step 3



Attach the whip extension to the whip on the fixture and affix the light fixture to the mounting plate installed in the previous step using the provided mounting screws.

Slide 4



Use the dimensional drawing above as a guide for centering the fixture on the wall when installing the electrical box.



304 South Jones Boulevard
Las Vegas, NV 89107

