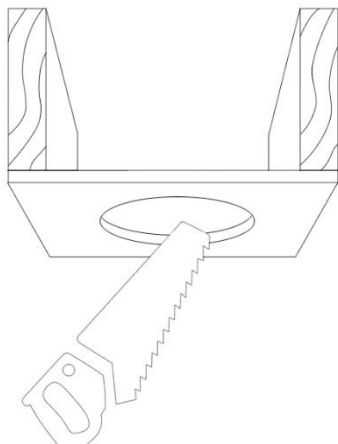




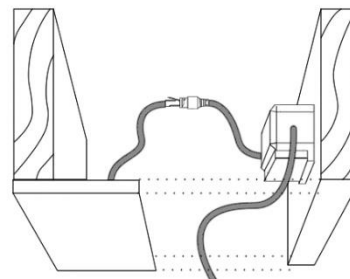
Product Installation Manual

**Step 1**



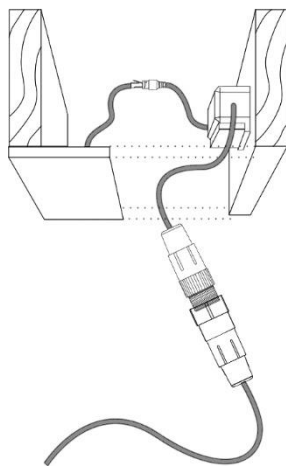
Cut a hole in the drywall to match the dimensions of the fixture. For item number LVES-3XXB-3K-RND cut the hole to the dimensions referenced in slide 6.

**Step 2**



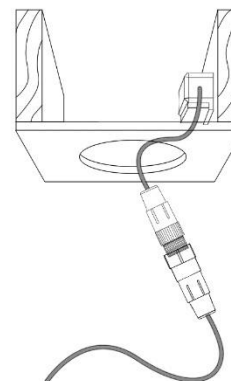
Run Cat6A plenum from the demarc to the fixture general location. Attach the rj45 termination to the port on the driver and affix the driver to the joist using wood screws and the mounting tabs on the driver.

**Step 3**



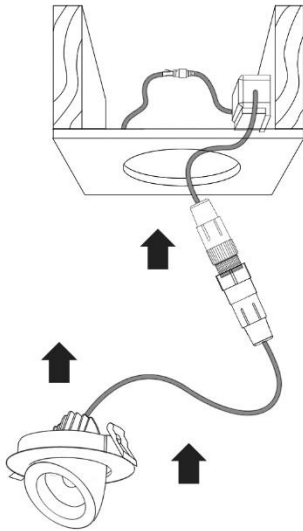
Attach the supplied whip to the driver and align with fixture mounting positions in the ceiling.

**Step 4**



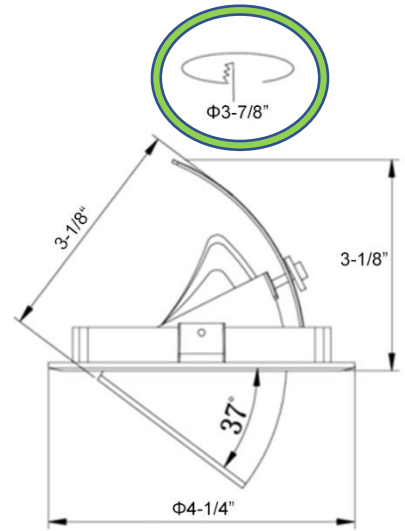
With the hole in the drywall cut out, pull the end of the whip through the hole in order to attach the fixture.

### Step 5



Connect the fixture to the whip with the provided connector. After the fixture is connected to the whip insert the fixture into the opening in the ceiling.

### Slide 6



Use this dimensional drawing as a guide to cut the hole in your ceiling. See the circled image for cutout dimensions.

**LV Energy Systems**  
304 South Jones Boulevard  
Las Vegas, NV 89107

