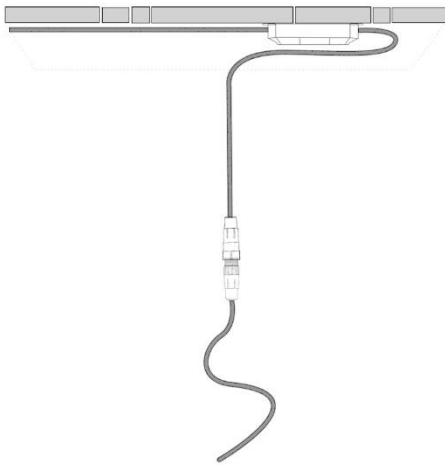


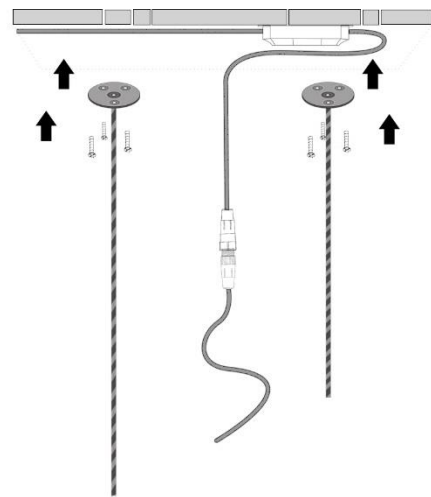


Step 1



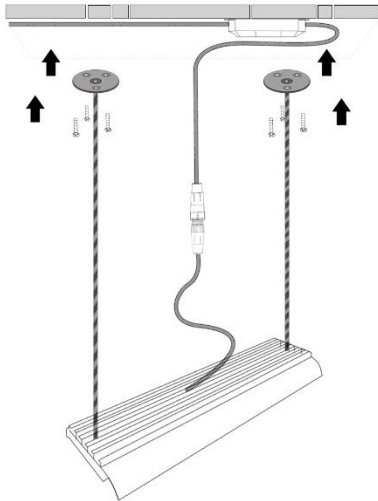
Run Cat6A plenum from the demarc to the fixture general location in the attic, plenum or crawl space. Attach the rj45 to the port on the driver and affix the driver to the joist using the appropriate fasteners and the mounting tabs on the driver.

Step 2



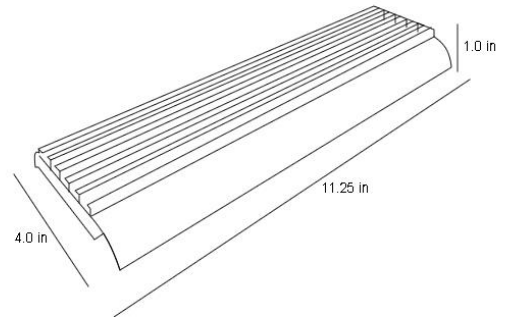
Affix the included flanges to the joist with the appropriate fasteners and extend fastening cables to the desired length.

Step 3



Attach the whip on the driver to the whip on the fixture and attach the light fixture to the previously installed suspension cables.

Slide 4



Use the dimensional drawing above as a guide for centering the fixture, the recommended spacing between fixtures and walls is 150" x 150". The PoE shop light comes in 1', 2' and 4' models ranging from 5000 lm – 20,000 lm.



304 South Jones Boulevard
Las Vegas, NV 89107

